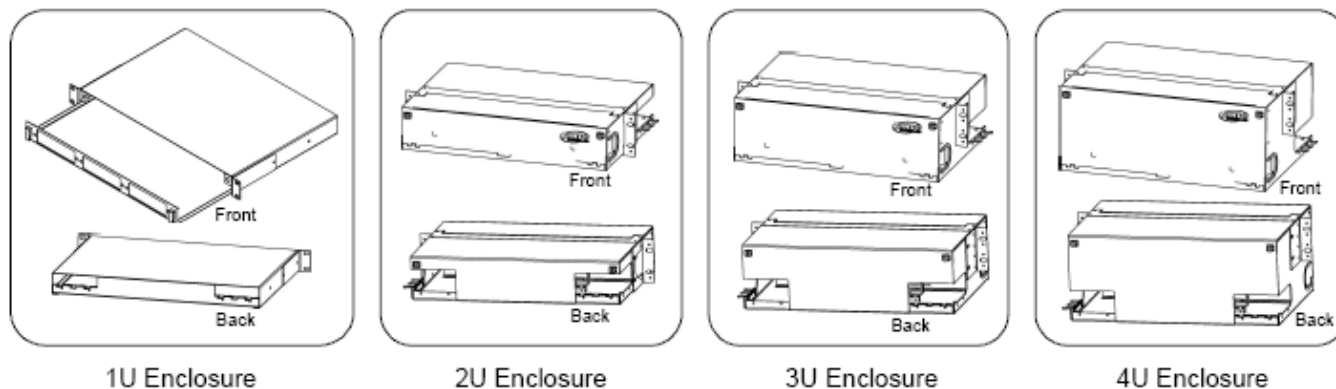


Optical Fiber Rack Mount Enclosures

1435555-1, 1435556-1, 1435557-1, 1435558-1
 1348876-4, 559542-2, 559614-2, 559552-2



Description

AMP NETCONNECT Fiber Optic Rack Mount Enclosures for armored and multiple trunk cables provide a convenient and rugged termination point for fiber optic cables. These rack mount enclosures offer a flexible connectivity system using a variety of adapter plates and MPO cassettes. The enclosures work equally as well with armored cable as they do with multiple trunk cables and are available in 1U – 4U versions. Each enclosure features a large trunk cable entry on the rear with a special tie down bracket that can be mounted inside or outside of the enclosure. 2U, 3U and 4U enclosures are designed for side or rear trunk cable entry, have removable front and rear covers, edge guards on the front for cable assembly protection and front and rear cable management rings. 2U, 3U and 4U enclosures also fit standard 19 and 23-inch racks and have a clear plastic, removable front door that can be outfitted with a label for easy identification of connections. 1U enclosures fit standard 19-inch racks and have rear cable management rings. All enclosures accept AMP NETCONNECT fiber optic adapter plates and MPO cassettes (purchased separately).

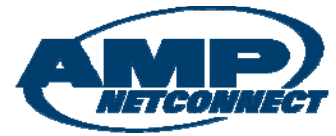
Specification (text in brackets [] requires a choice)

Fiber optic rack mount enclosures shall accept [armored or multiple trunk] cables, and mount to [19 or 23 (19 only for 1U enclosures)]-inch racks. Enclosures shall be [1U, 2U, 3U or 4U] high and shall be provided by the contractor with AMP NETCONNECT [adapter plates or MPO cassettes] part number [see adapter plate or MPO cassette cut sheet]. Enclosures shall be AMP NETCONNECT part number [1435555-1, 1435556-1, 1435557-1, 1435558-1, 1348876-4, 559542-2, 559614-2, 559552-2].

Description	Height RMU(in)	#of Adapter Plate or MPO Cassettes	Mounts to	Overall Dimensions	Part Numbers
Enclosures for Armored Cable	1U (1.75)	3	19" Racks	11.80" L x 19.00" W x 1.75" H	1435555-1
	2U (3.50)	4	19" or 23" Racks	12.00" L x 19.00" W x 3.50" H	1435556-1
	3U (5.25)	8	19" or 23" Racks	12.00" L x 19.00" W x 5.25" H	1435557-1
	4U (7.00)	12	19" or 23" Racks	12.00" L x 19.00" W x 7.00" H	1435558-1
Enclosures for Standard Cable	1U (1.75)	3	19" Racks	11.80" L x 19.00" W x 1.75" H	1348876-4
	2U (3.50)	4	19" or 23" Racks	12.00" L x 19.00" W x 3.50" H	559542-2
	3U (5.25)	8	19" or 23" Racks	12.00" L x 19.00" W x 5.25" H	559614-2
	4U (7.00)	12	19" or 23" Racks	12.00" L x 19.00" W x 7.00" H	559552-2

Optical Fiber Rack Mount Enclosures

1435555-1, 1435556-1, 1435557-1, 1435558-1
1348876-4, 559542-2, 559614-2, 559552-2



Technical Details

Materials

1U Enclosures

Enclosure –	Steel, 18 gauge, black finish
Mounting Bracket –	Steel, 14 gauge, black finish
Latch –	Handle and Nut: Nylon, black; Screw: Die cast zinc, zinc plate, black chromate; Bushing: SBR rubber, black; Pin: 18-9LW Stainless steel, passivated with black oxide coating
Screw –	6-32 x 0.25in, pan head, SEMS, black oxide finish
Screw –	12-24 x 0.50in, carbon steel, black oxide finish
Cable Clamp Bracket Kit –	16 gauge steel, black finish
Cable Management Spider –	Nylon, natural color
Saddle –	Nylon, natural color

2U, 3U and 4U Enclosures

Enclosure –	Steel, 16 gauge, black finish
Covers –	Steel, 16 gauge, black finish
Door –	Polycarbonate, clear
¼ Turn Fasteners –	Polycarbonate, black
¼ Turn Fastener, Handle –	Polycarbonate, black
Label Holder –	Clear butyrate with self adhesive tape
Mounting Bracket –	Steel, 16 gauge, black finish
Edge Guard –	Polyethylene, black
Cable Clamp Bracket Kit –	16 gauge steel, black finish
Cable Management Spider –	Nylon, natural color
Saddle –	Nylon, natural color
Screws –	6-32 x 0.31in, flat head, steel
Screws –	12-24 x 0.50in, carbon steel, black oxide finish
Washers –	Steel
Label, Front –	11in x 1.5in paper
Label, "M-A" –	Paper, adhesive backed
Label, "DANGER" –	Paper, adhesive backed

Enclosures shipped assembled and include:

1U Enclosure –	Drawer-style Enclosure for 19" Racks
Bagged:	12-24 x 0.50in Screws Cable Clamp Bracket Kit Cable Management Spider Saddle
2U, 3U and 4U Enclosures –	Fixed Enclosure for 19" or 23" Racks
Bagged:	24 Line Adhesive Backed Label Warning Labels 12-24 x 0.50in Screws Quarter Turn Fastener Handle with Installation Instruction Sheet Cable Mounting Brackets 6-32 x 0.25in Pan Head Screws with Lockwashers

Specifications subject to change without notice. Revised 06/08.

<http://www.ampnetconnect.com/thailand>

© Copyright 2000 Tyco Electronics Corporation. All rights reserved.
AMP and NETCONNECT are trademarks.

 **Tyco Electronics**
Our commitment. Your advantage.