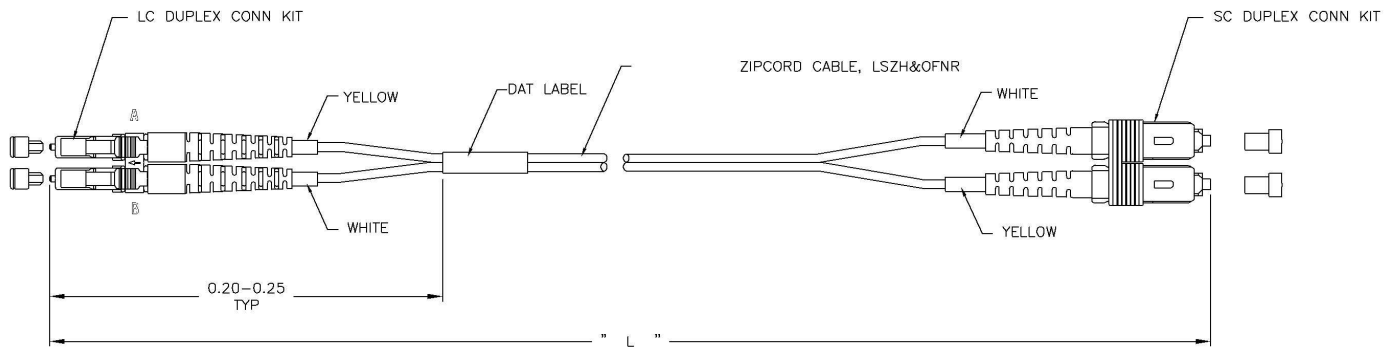


Fiber Optic SC to LC Cable Assemblies



2105029-X, 2105030-X, 2105031-X, 2105032-X



Description

AMP NETCONNECT fiber cable assemblies tight-buffered cables are designed and tested to conform to the fiber and cable performance requirements of the TIA 568B, ISO/IEC 11801:2002 Standards. Accordingly, the cables meet or exceed all of the performance requirements for current and proposed applications such as IEEE 802.3 Ethernet (including 10 Gigabit Ethernet), ATM, Fiber Channel, FDDI and others. The cables are available in dual rate LSZH&OFNR rate. Fiber Optic Test Procedures (EIA/TIA-455 documents) and the test procedures of IEC 60793 and IEC 60794, IEC 62321, IEC 61300-2,-3

Specification (text in brackets [] requires a choice)

Optical fiber patch cables shall be factory-terminated using Multimode [62.5/125 μm OM1, 50/125 μm OM2, 50/125 μm 850nm laser optimized (XG) OM3,] or Singlemode OS2. The duplex cables assemblies shall utilize LC/SC connectors with Pre-radiused ceramic ferrules at both ends. Optical fiber patch cables shall be AMP NETCONNECT part number [2105029-X, 2105030-X, 2105031-X, 2105032-X] [X indicates length as listed below].

Part Numbers

Description	UL/NEC	Part Numbers
SC-LC duplex 62.5/125μm optical cable assembly, OM1	LSZH&OFNR	Y-2105029-X
SC-LC duplex 50/125μm optical cable assembly, OM2	LSZH&OFNR	Y-2105030-X
SC-LC duplex 50/125μm (XG) optical cable assembly, OM3	LSZH&OFNR	Y-2105031-X
SC-LC duplex Singlemode optical cable assembly, OS2	LSZH&OFNR	Y-2105032-X

Y- -X denotes length in meter: -1 = 1M, -2 = 2M, -3 = 3M, -5 = 5M, 1- -0 = 10M

Technical Details

Materials	
Ferrule –	Pre-radiused ceramic
Jacket –	Tight-Buffered 1.8mm, Dual Rate LSZH&OFNR
Cordage –	2.0 mm., 3.0 mm.
Performance	
Operation Temperature -20 °C to +60 °C	
Insertion Loss –	≤ 0.3 dB for OM3, ≤ 0.5 dB for OM1,OM2,OS1
Return Loss –	20 dB Multimode, >50 dB Singlemode
Bending Radius –	36 mm
Tensile Load –	200N
Approval	
UL, CSA	UL 1666
Directive 2002/95/EC –	RoHS (Restrictions on the Use of Certain Hazardous Substances)
Directive 2002/96/EC –	WEEE (Waste Electrical and Electronic Equipment)
Regulation (EC)1907/2006 –	Registration, Evaluation, Authorization and Restriction of Chemicals (REACH)

Specifications subject to change without notice.

Revised 12/09

<http://www.ampnetconnect.com/thailand>



Our commitment. Your advantage.