

Mounting Frames

TELECOM OUTSIDE PLANT

The C5C wire management system features the exclusive mounting frame. This is designed expressly for the C5C magazine to ensure smooth, reliable installation.

The magazines are mounted onto the frame by flexing the jumpers guides upwards and sliding the magazine till harpoon locks are in place into the magazine slots.

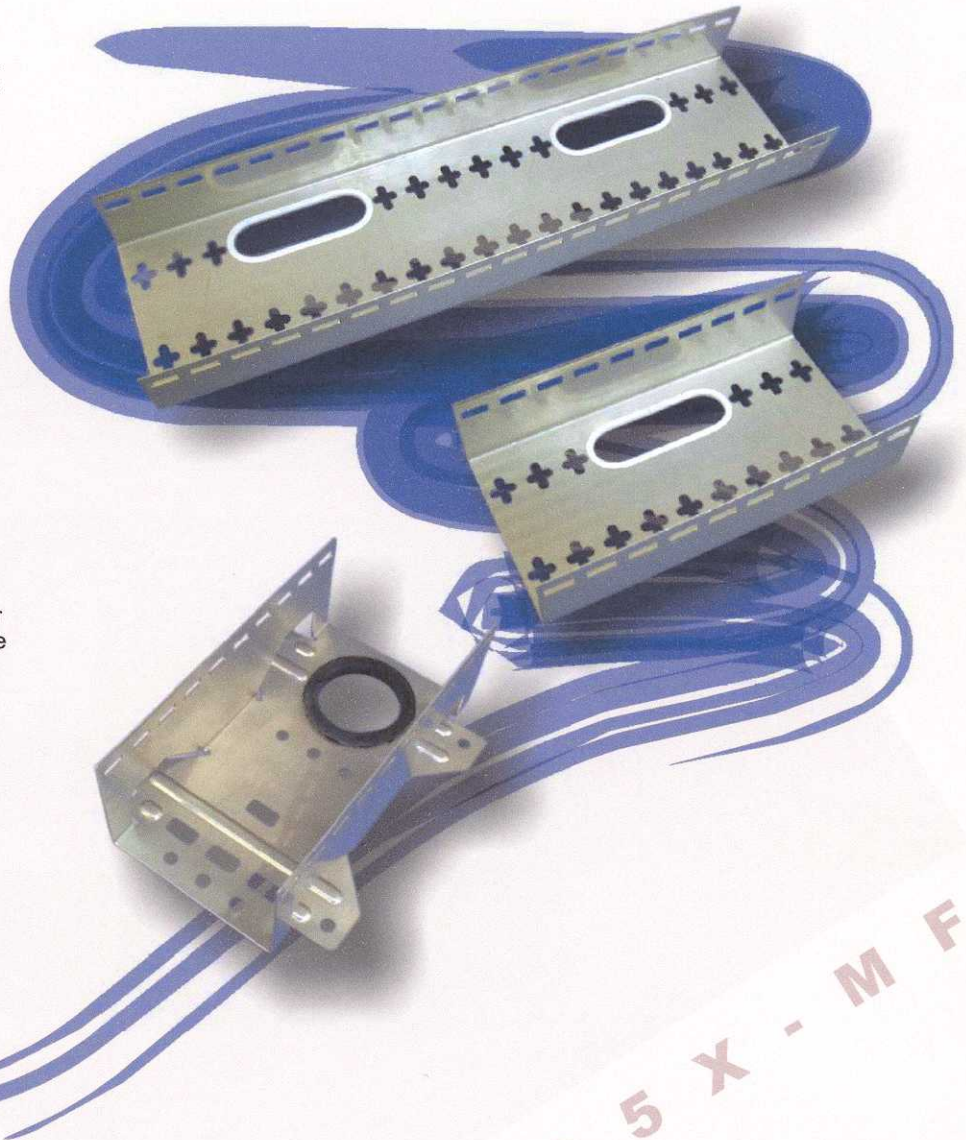
Magazine removal is toolless, simply reverse above operation.

The stainless steel mounting frames are available in standard lengths identified by the number of mounting positions: 10, 20, 30 or 40.

Other features include

- elongated "t"-shaped mounting holes which offer flexible mounting capability (standard version only)
- holes on both sides of the frame for cable tie mounting and efficient wire management
- chamfered edges minimise risk of injury and damage

Two designs of mounting frame are available with variants for MDF and cabinet applications.

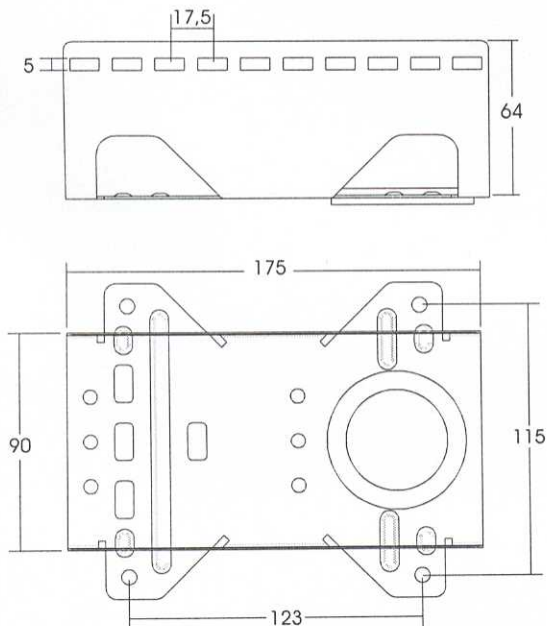


TYCO - C 5 X - M F

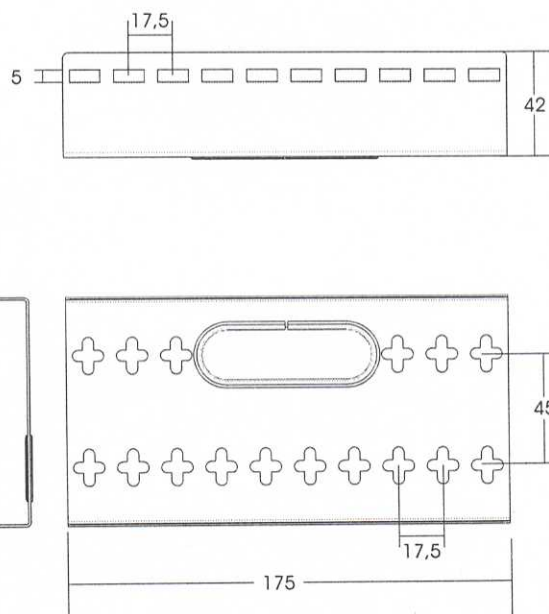
TYCO-C5X-MF

Dimensions

Values in mm



Mounting Frame for Cabinet Applications



**Universal Mounting Frame
MDF & Cabinet Applications**

Ordering Information

Positions	Storage Space (mm)	Legth (mm)	Description	AMPICS code
Universal Mounting Frames (MDF & Cabinet Applications)				
10	42	175	C5X-MF-42-10	3-1200737-0
20	42	250	C5X-MF-42-20	8-1200739-7
30	42	525	C5X-MF-42-30	9-1200734-7
40	42	700	C5X-MF-42-40	4-1200736-9
Mounting Frames for Cabinet Applications				
10	64	175	C5X-MF-64-10-CAB	5-1200759-8

Tyco and Tyco-C5C are trademarks of Tyco International.

The information given herein, including drawings, illustrations and schematics which are intended for illustration purposes only, is believed to be reliable. However, Tyco Electronics makes no warranties as to its accuracy or completeness and disclaims any liability in connection with its use. Tyco Electronics' obligations shall only be as set forth in Tyco Electronics' Standard Terms and Conditions of Sale for this product and in no case will Tyco Electronics be liable for any incidental, indirect or consequential damages arising out of the sale, resale, use or misuse of the product. Users of Tyco Electronics products should make their own evaluation to determine the suitability of each such product for the specific application.

Tyco Electronics Raychem, S.A.
Polígono industrial Mediterráneo
C/ la Fila, parcela 1
46550 Albuixech-Valencia, España
Tel.: 34-96-141 70 72
Fax: 34-96-141 74 15

Tyco Electronics Corporation
8000 Purfoy, Rd.
Fuquay-Varina, NC 27526, USA
Tel.: 1-919-557 8600
Fax: 1-919-557 8404

Tyco Electronics Raychem NV
Telecom Outside Plant
Diestsesteenweg 692
3010 Kessel-Lo, Belgium
Tel.: 32-16 351 011
Fax: 32-16 351 697
www.tycoelectronics.com